



LINE BLANKS

according to ASME B16.48



DESCRIPTION

Line blanks are intended for use between flange connections in pipelines and on vessel connectors. Line blanks perform the following functional tasks:

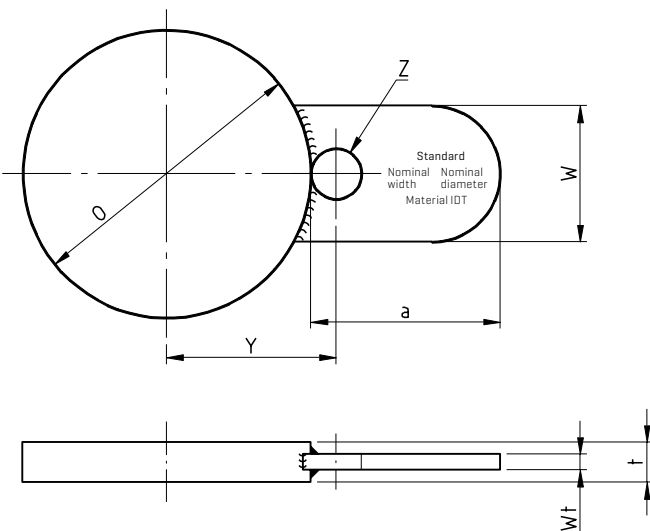
- Shutting off pipelines during pressure testing or servicing work [type A: blind disc]
- Use as a placeholder [type B: perforated disc]

Line blanks must always be installed in combination with the gaskets intended for their use. The production of standardized line blanks complies with the requirements of ASME B16.48. The strength of the line blanks according to ASME B16.48 was designed according to their pressure rating, which results in a significant difference compared to plant-specific standards. Special versions of line blanks must be described by the customer with comprehensive dimensional data. Computational verification based on a valid body of rules and regulations must be carried out [e.g. according to AD-2000 leaflet B5].

DESIGNS

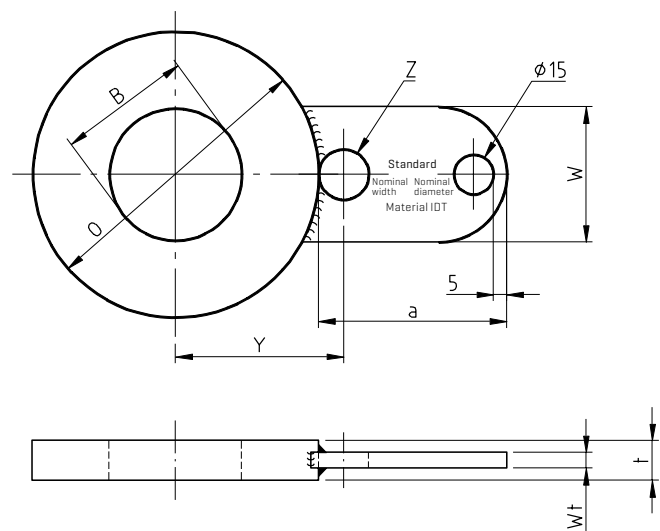
a) Type A: Blind disc

[shutting off pipelines during pressure testing or servicing work]



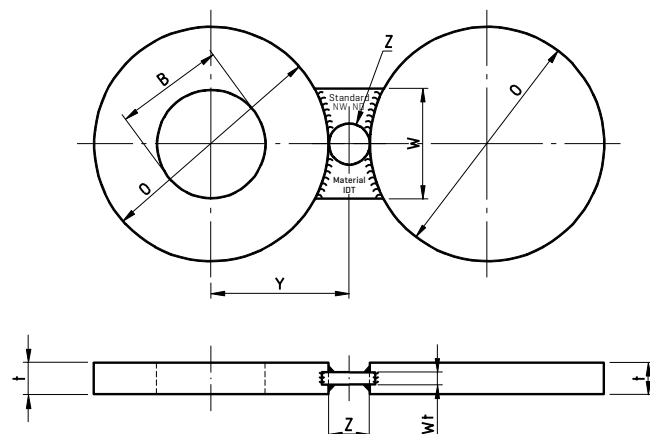
b) Type B: Perforated disc

[used as a placeholder / spacer for dismantled blind line blanks]



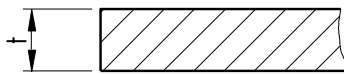
c) Type D: Spectacle blind as a figure-8 blank

[combination of type A and B]

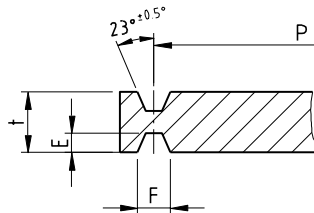


SEALING SURFACE DESIGNS

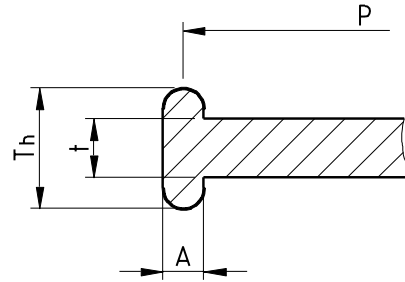
The line blank sealing surface is designed according to ASME B16.5 as follows



a) Smooth sealing surface
[shape AA]



b) RTJ sealing surface female
[shape E]



c) RTJ sealing surface male
[shape F]

MATERIALS

- 1.0425 [P265GH]
- 1.4571
- Additional materials upon request

MARKING

- Nominal diameter
- Pressure level
- Material/number
- Manufacturer's logo
- Melt number
- Custom versions: Max. operating parameters (pressure / temperature)
- Optional: Weight in kg from a unit weight of 25 kg / customer-specific number

ORDERING EXAMPLES

[1] Line blank according to ASME B16.48, nominal diameter 3", nominal pressure Class 600, design as a figure-8 blank with RTJ sealing surface [female], material 1.4571

Line blank ASME B16.48 - type D - 3" - Class 600 - E - 1.4571

[2] Line blank customer-specific, nominal diameter 2", nominal pressure Class 300, blind disc design with smooth sealing surface, material 1.0425, thickness in accordance with strength calculation according to AD-2000 leaflet B5

Line blank customer-specific - type A - 2" - Class 300 - AA - 1.0425 - s=6 mm

**Sales/Logistics Center
Essen**

Phone: +49 [0]201 85511-0
Fax: +49 [0]201 8553555
Email: essen@idt-dichtungen.de

**Sales/Production
Annaberg-Buchholz**

Phone: +49 [0]3733 505-0
Fax: +49 [0]3733 505101
Email: annaberg@idt-dichtungen.de

**Sales
Munich**

Phone: +49 [0]89 991883-0
Fax: +49 [0]89 9043967
Email: muenchen@idt-dichtungen.de