



# LINE BLANKS

according to DIN 2626.



# DESCRIPTION

Line blanks are intended for use between flange connections in pipelines and on vessel connectors. Line blanks perform the following functional tasks:

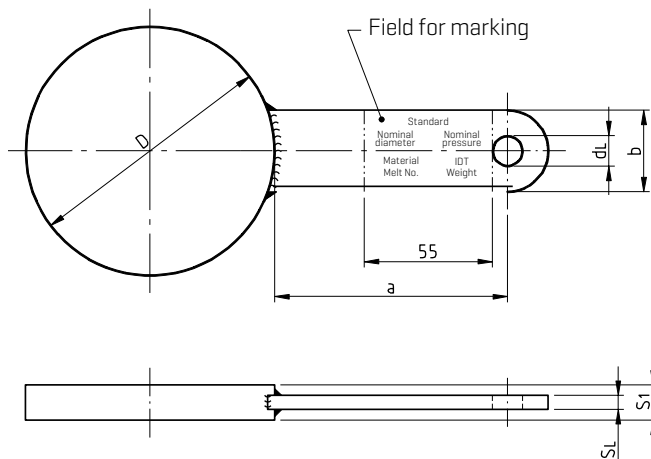
- Shutting off pipelines during pressure testing or servicing work (type A: blind disc)
- Use as a placeholder (type B: perforated disc)
- Limitation of the flow rate (type C: orifice plate)

Line blanks must always be installed in combination with the gaskets intended for their use. Standardized line blanks are manufactured in accordance with the requirements of DIN 2626. Special versions of line blanks must be described by the customer with comprehensive dimensional data. Computational verification based on a valid body of rules and regulations must be carried out [e.g. according to AD-2000 leaflet B5].

## DESIGNS

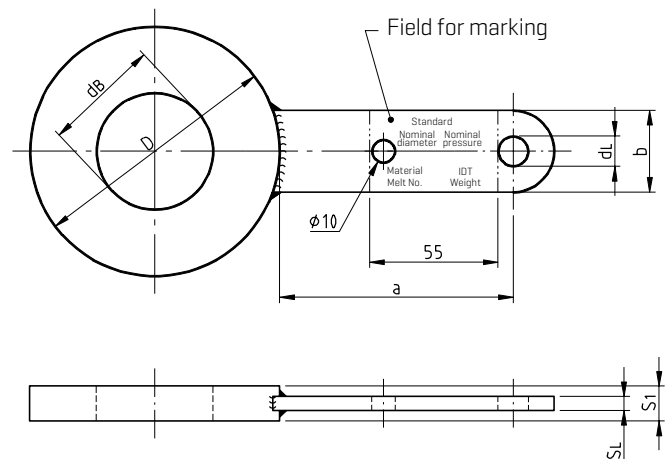
### a) Type A: Blind disc

[shutting off pipelines during pressure testing or servicing work]



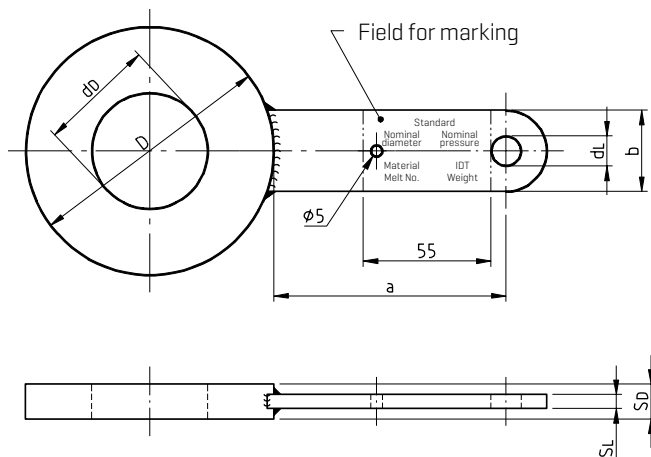
### b) Type B: Perforated disc

[used as a placeholder / spacer for dismantled blind line blanks]



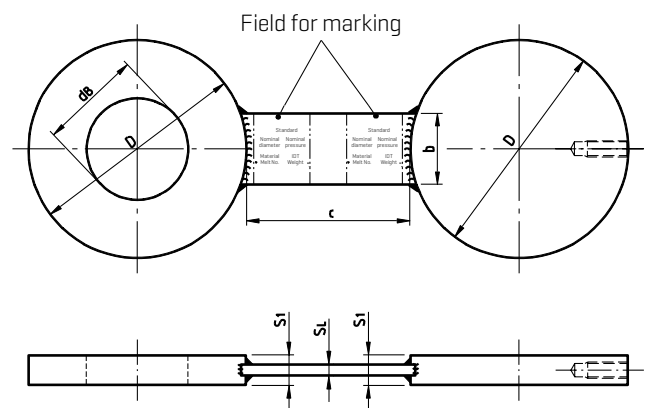
### c) Type C: Orifice plate

[limitation of the flow rate]



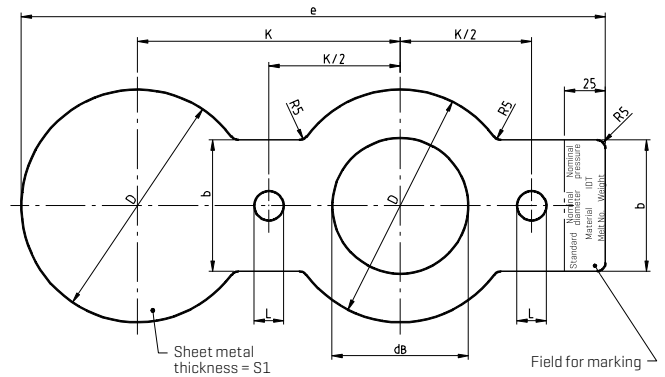
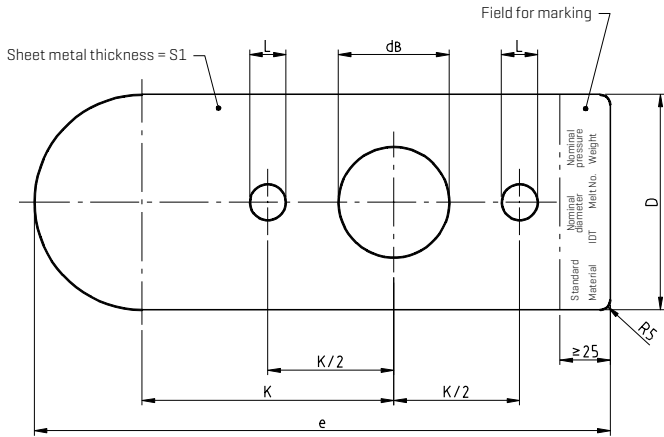
### d) Type D: Spectacle blind as a figure-8 blank

[combination of type A and B]



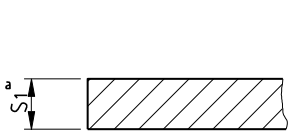
**e) Type E: Spectacle blind as a rotating plate**

Type E1: DN 15 bis DN 50  
 Type E2: DN 65 bis DN 200

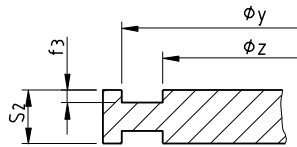


**SEALING SURFACE DESIGNS**

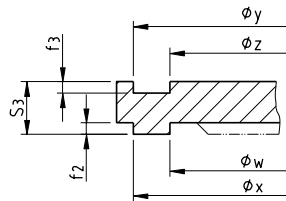
The line blank sealing surface is designed according to DIN EN 1092-1 as follows:



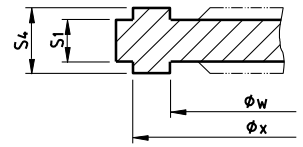
**a) Smooth sealing surface**  
 (shape AA) or smooth sealing strip (form BB)



**b) Groove-groove**  
 (shape DD)



**c) Tongue and groove**  
 (shape CD)



**d) Tongue-tongue (shape CC)**

**MATERIALS**

- 1.0425 [P265GH]
- 1.4571
- Additional materials upon request

## MARKING

- Number of the underlying standard (DIN 2626 or WN-41-37 for special parts)
- Nominal diameter
- Pressure level
- Material name or number
- Manufacturer's logo
- Melt number
- For orifice plates: Borehole diameter dD
- From 25 kg unit weight: Weight in kg
- Custom versions: Max. operating parameters [pressure / temperature]
- Optional: Customer-specific number

For type B and type C line blanks, a borehole is provided in the identification field in order to identify the installation of a perforated or orifice plate.

## ORDERING EXAMPLES

[1] Line blank according to DIN 2626, nominal diameter 100, nominal pressure 16, perforated disc design with smooth sealing surface, material 1.0425

**Line blank DIN 2626 - type B - DN100 - PN16 - AA - 1.0425**

[2] Line blank according to DIN 2626, nominal diameter 150, nominal pressure 40, orifice plate version with tongue/groove sealing surface, material 1.4571, borehole diameter 112 mm

**Line blank DIN 2626 - type C - DN150 - PN40 - CD - 1.4571 - 112 mm**

[3] Line blank customer-specific, nominal diameter 80, nominal pressure 25, blind disc design with smooth sealing surface, material 1.4571, thickness in accordance with strength calculation according to AD-2000 leaflet B5

**Line blank customer-specific - type A - DN80 - PN25 - AA - 1.4571 - s=8 mm**

### Sales/Logistics Center Essen

Phone: +49 [0]201 85511-0  
Fax: +49 [0]201 8553555  
Email: essen@idt-dichtungen.de

### Sales/Production Annaberg-Buchholz

Phone: +49 [0]3733 505-0  
Fax: +49 [0]3733 505101  
Email: annaberg@idt-dichtungen.de

### Sales Munich

Phone: +49 [0]89 991883-0  
Fax: +49 [0]89 9043967  
Email: muenchen@idt-dichtungen.de